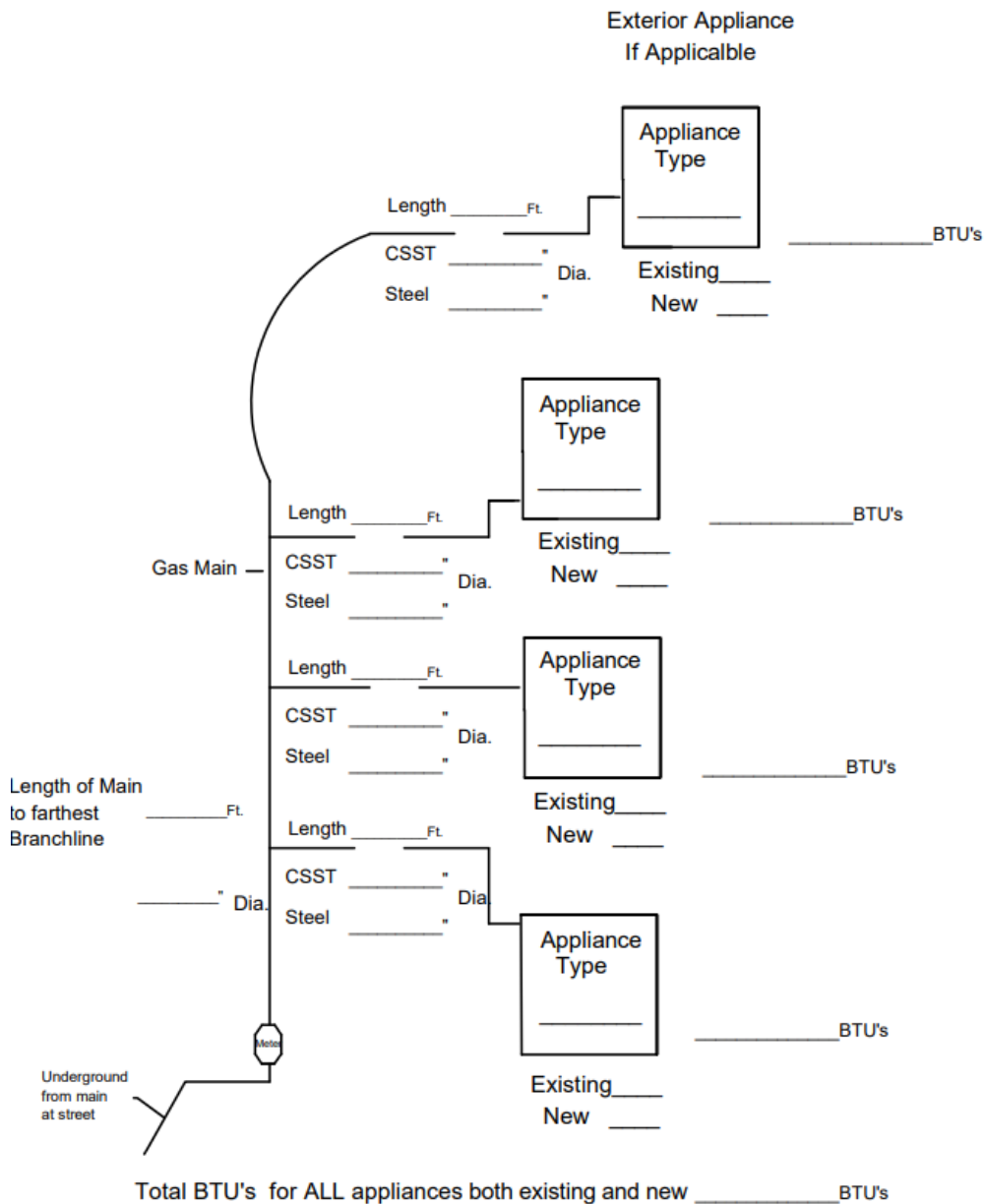


This illustration is a summary of the Residential Code of Ohio (RCO) §328.1. It is not intended to be comprehensive of all conditions; user acknowledges that all work shall comply with the RCO and assumes all risks.

Fuel-gas Piping Riser



Indicate all gas-appliances as well as their respective BTU input ratings.

Common appliance Types: furnace, hot-water heater, fireplace, oven, clothes dryer, grill, fireplace lighters, pool heaters, generator.

- Piping shall be adequately supported.
- Piping shall be protected from damage (including bonding).
- Union fittings shall be provided for rigid connections.
- Provide gas shut-off valves.
- Provide sediment traps: